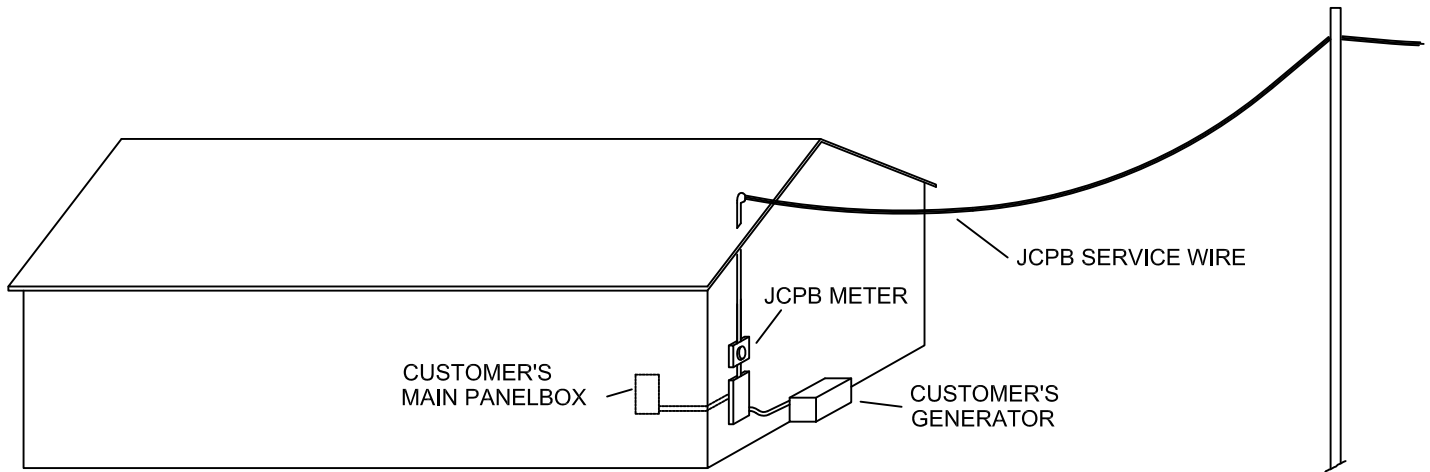
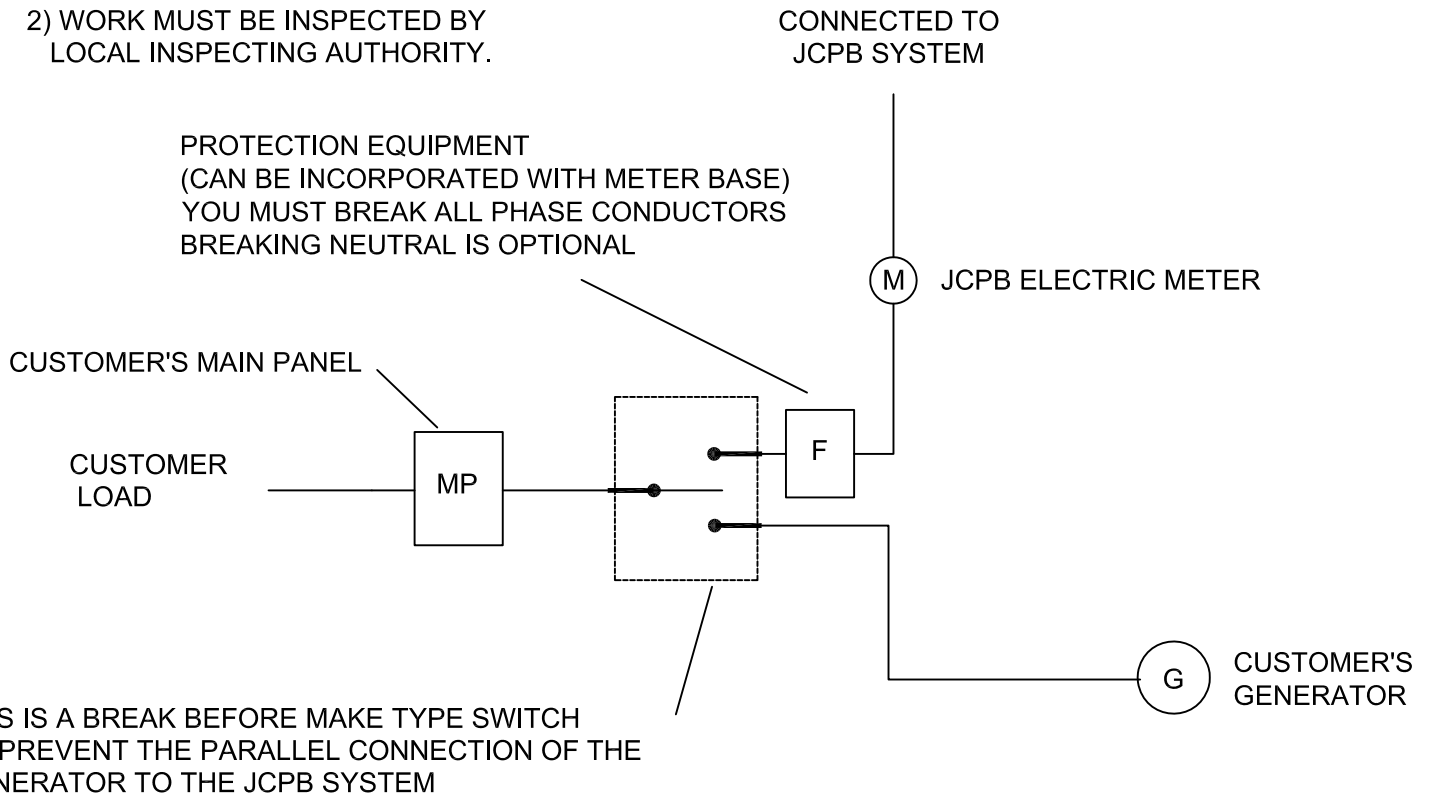


JOHNSON CITY POWER BOARD DIAGRAM FOR GENERATOR CONNECTION



NOTES:

- 1) CONNECTION MUST BE MADE BY QUALIFIED ELECTRICIAN.
- 2) WORK MUST BE INSPECTED BY LOCAL INSPECTING AUTHORITY.



DRAWING NOT TO SCALE